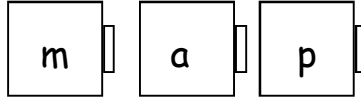


## CVC Blending -Matching 1

### Instructions

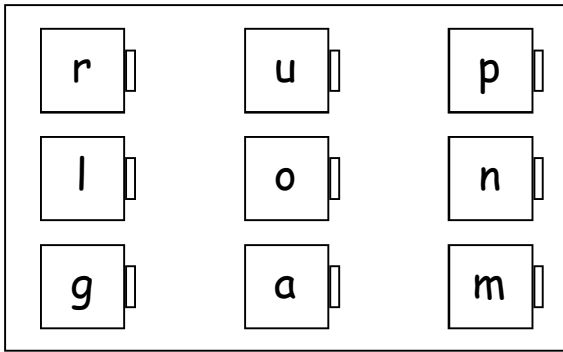
Read aloud the following words as the students match the letters to make words.

1. ram
2. bag
3. dim
4. rug
5. pod
6. ten
7. cup
8. pet

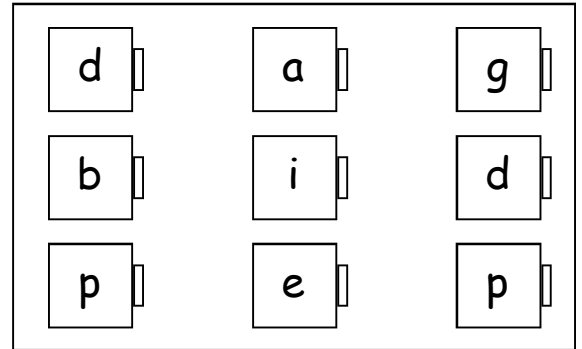


Name: \_\_\_\_\_ Date: \_\_\_\_\_

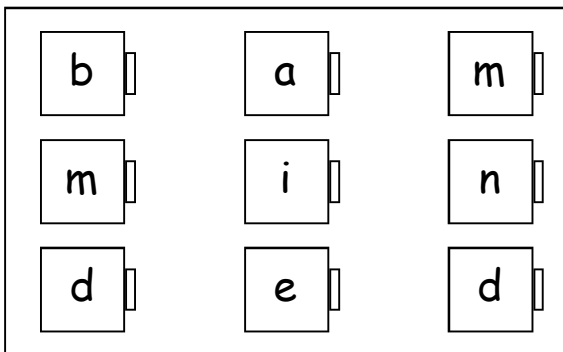
1.



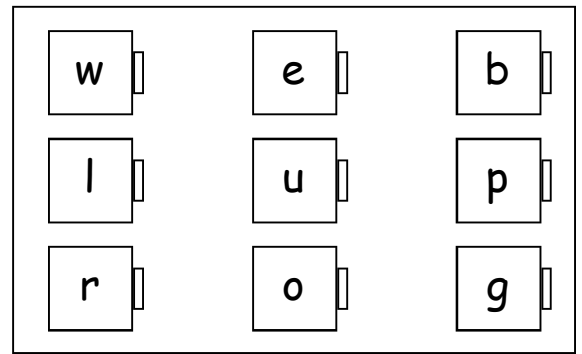
2.



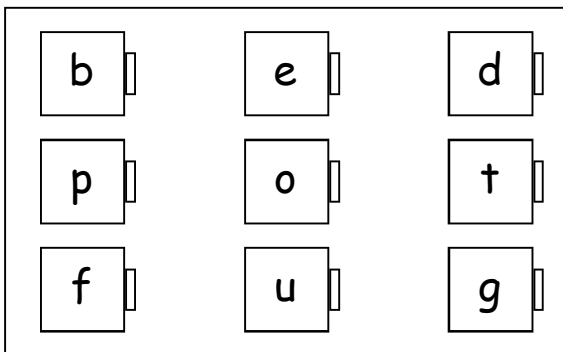
3.



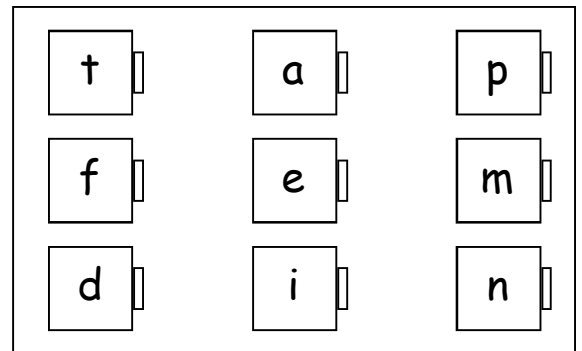
4.



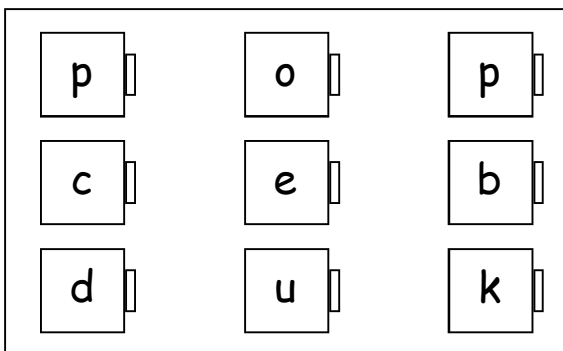
5.



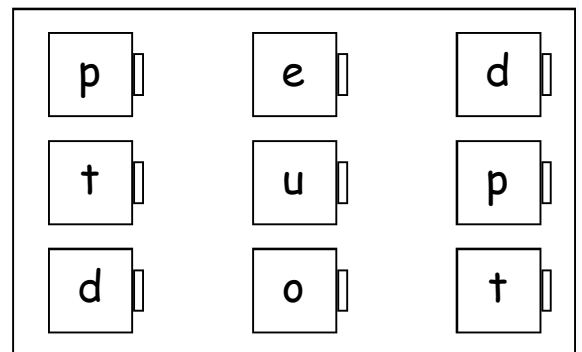
6.



7.



8.



Score: \_\_\_/\_\_\_

Teacher's Copy

1.

r	u	p
l	o	n
g	a	m

2.

d	a	g
b	i	d
p	e	p

3.

b	a	m
m	i	n
d	e	d

4.

w	e	b
l	u	p
r	o	g

5.

b	e	d
p	o	t
f	u	g

6.

t	a	p
f	e	m
d	i	n

7.

p	o	p
c	e	b
d	u	k

8.

p	e	d
t	u	p
d	o	t